

Water Dispensers

UC-105



- Pure water type
- Daily capacity: 50 G
- Voltage: 220V
- Size: 37 x 21 x 48 cm
- Function: meet standard drinking water quality requirement

UC-205



- Micro-mineral type
- Automatic / Manual wash
- Daily capacity: 50 G
- Voltage : 220 V
- Size: 37 x 24 x 46 cm
- Function: meet standard drinking water quality requirement. Including the micro-mineral for our bodies needs.

UC-305



- Magnetize Molecule type
- Automatic wash
- Daily capacity: 75 G
- Voltage : 220 V
- Size : 37 x 21 x 46 cm
- Function: Hydron, including magnetize & micro-mineral that easy to be absorbed by Bodies and enhance the bodies immunity.

UC-B03



- Coarse filtration type
- Size: 26 x 15 x 37 cm
- Function: remove coarse
- Solid from water (i.e. silt, dreg...)

UC-B05



- Coarse filtration reinforce type
- Six filters
- Size: 41 x 15 x 46 cm
- Function: remove silt, hairs and filtrate part of ion from water.

UC-KT05



- Pure water (luxurious) type
- Daily capacity : 75 G
- Voltage: 220V
- Size: 37 x 25 x 37 cm
- Function: meet standard drinking water quality requirement

Water Dispenser

UC-H301-1



- Boiled water : 10 L
- Power : 750 W
- Voltage: 220 V
- Size: 23 x 23 x 35 cm

UC-WH302



- Temperature : Liquid crystal display
- Boiled water : 5.3 L
- Lukewarm water : Filtration by water capacity
- Power : 800 W
- Voltage : 220 V
- Size : 23.5 x 36 x 49 cm

UC-CWH303



- Boiled water : 4 L
- Ice water : 3 L
- Lukewarm water : filtration by water capacity
- Power : 920 W
- Voltage : 220 V
- Size: 34 x 33 x 64 cm

UC-CH301-0



- Boiled water : 10 L
- Cold water : 8 L
- Power : 860 W
- Voltage : 220 V
- Size: 33 x 35 x 42 cm

UC-CT301-1



- Boiled water : 3 L
- Ice water : 5 L
- Power : 800 W
- Voltage : 200 V
- Size: 24 x 44/59 x 44 cm

UC-CWH919



- Boiled water : 5.5 L
- Ice water : 4 L
- Lukewarm water : filtration by water capacity
- Power : 920 W
- Voltage : 220 V
- Size: 39 x 40 x 52 cm

Water Dispenser

UC-CJ565



UC-CJ131



- Size: W 43 x D 45 x H 135 cm
- Material: SUS #304 , thickness: 0.8mm up
- Frame: SUS #304, thickness: 0.8mm
Complex shaping
- Ice / warm / boil vat : SUS #316
thickness 1.2mm
- Power : 1000W - 2000W , Ice water 250W
- Reverse Osmosis 50 GPD

- Volume: Boiled water 5L
- Lukewarm water : by input water capacity
- Ice water : 3L
- Power: 1000 W
- Function: meet standard drinking water
quality requirement
- Material: SUS#304
- Liquid crystal display

Water Dispenser

UC-CJ30G



- Capacity: 30G
- Power : 4000 W
- Voltage : 220 V
- Size: L53 x D53.5 x H140.5 cm
- Material: SUS, adamantine & Durable, no rusty at all.

UC-CJ809



- Capacity: Boiled water: 13L
Lukewarm water : 5L
Ice water : 3L
- Power: Hot 800W, Ice 200W
- Voltage: 220 V
- Size: W43 x D55 x H134 cm
electrolyze water : 5 function
PH5.5/PH8.5/9H9.0/PH10.5

UC-CJ535



- Capacity: Boiled water 15L
Lukewarm water: 5L
Ice water : 3L
- Power: Hot 800W, Ice 200W
- Voltage: 220 V
- Size: L55 x W43 x H134 cm

Water Dispenser



- Large capacity water processing system
- Assemble freely, best functions
- Multi-space, changeable inside structure.
- Warm, cold and hot temperature for selection.
- Water dispenser, boiled water dispenser, purified water dispenser, UV sterilizing light and terminal desk of central drinking system could be installed.

Function Description	Capacity	Power	L×W×H (CM)	Voltage
Large capacity drinking system	Hot water capacity: 5L 10L 20L 50L Warm water capacity: 5L 10L 20L Cold water capacity: 5L~10L	750W to 4KW (according to the specification of the item ordered)	131 x 43 x 131	110V/220V(If 380V, please order in advance)

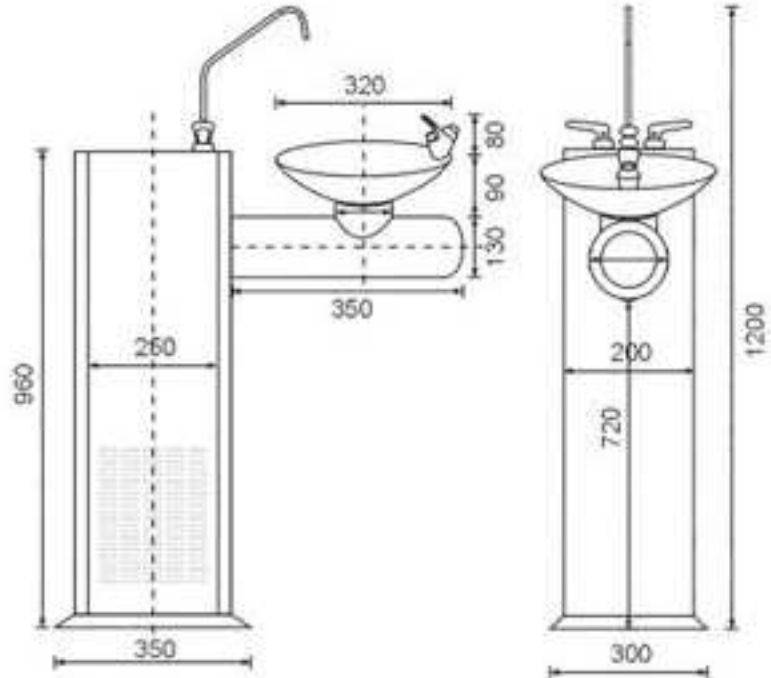
You can select: ● Various capacity of hot, warm and cold water ,mentioned above
● 200 gallon RO unit and 20 gallon tank can be put inside.

Water Dispenser



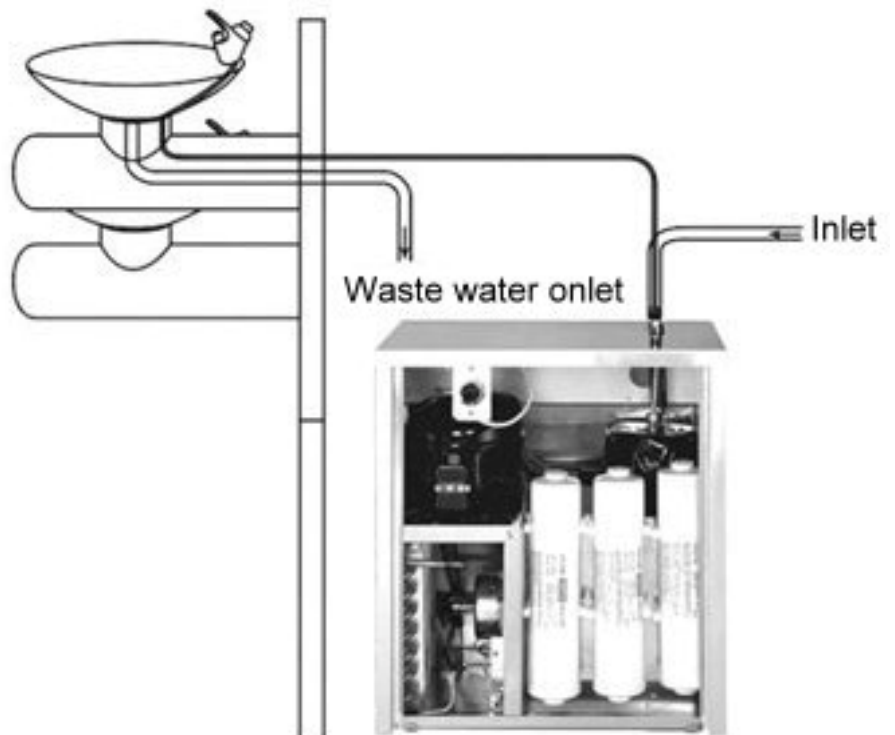
- Voltage: 220V
- Frequency: 50HZ
- Three hot spigots, two lukewarm spigots
- Power: Boiled water 3600W, UV lukewarm water 10/16W
- Bucket: Boiled water capacity 25 liter, outlet parameter 80L/H
- Ice / Hot model: two lukewarm spigots, two boiled water spigots and one cold water spigot.
- Power: Ice water 125W, boiled water 2500W, UV warm water 10/16W
- Volume Parameter: W122 x L37 x H100 cm
- Filtrated by PP and Activated carbon filters and handle by high level of membrane , then handled with UV Sterilizing light finally.

Water fountain



UC-312

- Front-press or top- press switch by optional
- Heating system and cooling system by optional
- Back-mounted filter by optional



UC-318

- Equip exclusive water filter
- Capacity of cold tank : 2.5 L
- Use activated carton filter and hollow fiber membrane
- Power : 220V
- Efficiency : 200W

Water ionizer

UC-TK-7406



- Alkalinity 6 stages of fine-tuning function
- When abstracting neutrality purity water, the acid drainpipe won't waste any water.
- Use Activated carbon filter and hollow fiber membrane
- Hollow's fiber membrane's diameter 0.04 um
- Acidulated water Special-purpose place attached.
- Aluminum alloy Stainless steel outer covering
- Filter's life based on water quality and personal usage.
- Return to original state electric potential ratio : MAX-400mv
- Size : H 26.2 x W 16.8 x D 10.4 cm
- Outlet volume : 2.0 L/PM
- Alarm function

UC-TK-7505



- Alkalinity 12 stages of fine-tuning function
- Save water function, abstracting water itself every 2 minutes, no need to do discharge again.
- Use Activated carbon filter and hollow fiber membrane
- Hollow's fiber membrane's diameter 0.01 um
- Acidulated water Special-purpose place attached.
- Aluminum alloy Stainless steel outer covering
- Filter's life based on water quality and personal usage.
- Return to original state electric potential ratio :MAX-600mv
- Size : H 31.8 x W 30 x D 12.3 cm
- Outlet volume : 2.5 L/PM
- Alarm function

Water ionizer

UC-EC-550



- Large liquid crystal display PH
- Electrode area 550 cm²
- Electric tank service life : 3,000 hours
- Maximum purity water volume 12,000 L
- Filters service life display, flow rate indicate function and generation continuously function
- Electricity overheat protection and thermolysis system
- Equip with Activated carbon fiber filters
- Filter's service life based on water quality and personal usage.
- Return to original state electric potential ratio : MAX-400mv
- Size : H 33 x W 25 x D 13 cm
- Outlet volume : 2.2 L/ PM

UC-OA832



- Large liquid crystal display PH
- Electrode area 800 cm²
- Electric tank service life : 6,000 hours
- Maximum purity water volume 16,000 L
- Filters service life display, flow rate indicate function and generation continuously function
- Strong acid alkali function, could be done with vegetables and fruit antisepticise and disinfection
- Filter's service life based on water quality and personal usage.
- Return to original state electric potential ratio : MAX-500mv
- Size : H 31.5 x W 27.5 x D 14 cm
- Outlet volume : 2.6 L/ PM

Water ionizer

UC-AK-1250



- Large liquid crystal display PH
- Electrode area 1,350 CM²
- Electric tank service life : 7,000 hours
- Maximum purity water volume 12,000 L
- Filters service life display, flow rate indicate function and generation continuously function
- Electricity overheat protection and thermolysis system
- Equip with Activated carbon fiber filters
- Hollow's fiber membrane's diameter 0.01 um
- Filter's service life based on water quality and personal usage.
- Return to original state electric potential ratio : MAX-500mv
- Size : H 31.5 x W 27.5 x D 14 cm
- Outlet volume : 2.8 L/ PM

UC-TK-929



- One touch water quality switch key, electrode area 624 cm
- 4 stages of alkalinity fine-tuning function and one stage of acid function
- Hidden design, installed under the kitchen
- Use Activated carbon filter and hollow fiber membrane
- Circularity diaphragm double color signal light
- Filters service life signal display function
- Residual water drainage automatically, to prevent bacterium lives and maintain the pure drinking water.
- Size : H 23 x W 13 x D 30 cm
- Outlet volume : 2.8 L/ PM